

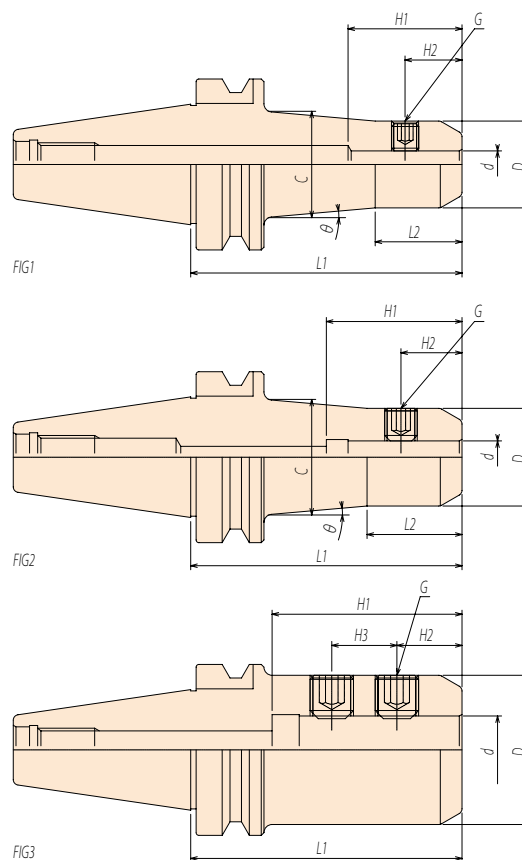


SLM サイドロックエンドミルホルダ

SIDE LOCK END MILL HOLDER



- ◆ センタースルーオイルホール対応。
Coolant through body.
- ◆ 剛性を考慮し角度を付けたボディ。
High rigidity design body.
- ◆ ミーリング、ドリル加工に最適です。
Ideal for milling and drilling.



BT30

| CODE | FIG | ϕd | L1 | D | H1 | H2 | G |
|-----------------|-----|----------|----|----|----|----|----------|
| BT30-SLM16 - 75 | 2 | 16 | 75 | 43 | 55 | 24 | M14-P1.5 |
| SLM20 - 75 | | 20 | | 46 | 60 | 25 | |

BT40

| CODE | FIG | ϕd | L1 | L2 | D | C | θ | H1 | H2 | H3 | G |
|-----------------|-----|----------|-----|----|----|------|----------|----|------|----|-----------|
| BT40-SLM6 - 75 | 1 | 6 | 75 | 25 | 23 | 35.3 | 15° | 30 | 14 | - | M6-P1.0 |
| | | | 100 | | | 31.4 | 5° | | | | |
| | | | 150 | | | 33.3 | 3° | | | | |
| | | | 200 | | | 38.5 | 3° | | | | |
| BT40-SLM8 - 75 | 1 | 8 | 75 | 28 | 29 | 39.7 | 15° | 32 | 16 | - | M8-P1.25 |
| | | | 100 | | | 36.9 | 5° | | | | |
| | | | 150 | | | 39.0 | 3° | | | | |
| | | | 200 | | | 44.2 | 3° | | | | |
| BT40-SLM10 - 75 | 1 | 10 | 75 | 32 | 32 | 40.6 | 15° | 42 | 21 | - | M10-P1.5 |
| | | | 100 | | | 39.2 | 5° | | | | |
| | | | 150 | | | 41.5 | 3° | | | | |
| | | | 200 | | | 46.8 | 3° | | | | |
| BT40-SLM12 - 75 | 2 | 12 | 75 | 35 | 36 | 43.0 | 15° | 50 | 22.5 | - | M12-P1.25 |
| | | | 100 | | | 42.6 | 5° | | | | |
| | | | 150 | | | 42.1 | 2° | | | | |
| | | | 200 | | | 45.6 | 2° | | | | |
| BT40-SLM16 - 75 | 2 | 16 | 75 | 45 | 43 | - | - | 55 | 24 | - | M14-P1.5 |
| | | | 100 | | | 47.9 | 5° | | | | |
| | | | 150 | | | 47.1 | 1°30' | | | | |
| | | | 200 | | | 49.7 | 1°30' | | | | |

■ 特殊サイズも注文により製作いたします。 Special size is available upon request.



SLM サイドロックエンドミルホルダ

SIDE LOCK END MILL HOLDER



BT40

| CODE | FIG | φd | L1 | L2 | D | C | θ | H1 | H2 | H3 | G |
|-----------------|-----|----|-----|----|----|------|-------|----|----|----|----------|
| BT40-SLM20 - 75 | 2 | 20 | 75 | - | 47 | - | - | 60 | 25 | - | M14-P1.5 |
| -100 | | | 100 | 53 | | 50.5 | 5° | | | | |
| -150 | | | 150 | | | 50.7 | 1°30' | | | | |
| -200 | | | 200 | | | 53.3 | | | | | |
| BT40-SLM25 -100 | 3 | 25 | 100 | - | 55 | - | - | 70 | 24 | 24 | M16-P1.5 |
| -150 | | | 150 | | | | | | | | |
| BT40-SLM32 -100 | 3 | 32 | 100 | - | 62 | - | - | 75 | 24 | 27 | M18-P1.5 |
| -150 | | | 150 | | | | | | | | |

BT50

| CODE | FIG | φd | L1 | L2 | D | C | θ | H1 | H2 | H3 | G |
|-----------------|-----|----|-----|----|-----|------|----|----|------|----|-----------|
| BT50-SLM12 -105 | 1 | 12 | 105 | - | 42 | - | 4° | 50 | 22.5 | - | M12-P1.75 |
| -150 | | | 150 | 70 | | 47.8 | | | | | |
| -200 | | | 200 | | | 54.8 | | | | | |
| -250 | | | 250 | | | 61.8 | | | | | |
| -300 | | | 300 | | | 68.8 | | | | | |
| BT50-SLM16 -105 | 1 | 16 | 105 | - | 48 | - | 4° | 60 | 24 | - | M14-P2.0 |
| -150 | | | 150 | 70 | | 53.8 | | | | | |
| -200 | | | 200 | | | 60.8 | | | | | |
| -250 | | | 250 | | | 67.8 | | | | | |
| BT50-SLM20 -105 | 2 | 20 | 105 | - | 52 | - | 3° | 60 | 25 | - | M16-P2.0 |
| -150 | | | 150 | 70 | | 56.4 | | | | | |
| -200 | | | 200 | | | 61.6 | | | | | |
| -250 | | | 250 | | | 66.8 | | | | | |
| -300 | | | 300 | | | 72.1 | | | | | |
| -350 | | | 350 | | | 77.4 | | | | | |
| BT50-SLM25 -105 | 2 | 25 | 105 | - | 65 | - | 2° | 70 | 24 | 25 | M18-P2.5 |
| -150 | | | 150 | 70 | | 67.9 | | | | | |
| -200 | | | 200 | | | 71.4 | | | | | |
| -250 | | | 250 | | | 74.9 | | | | | |
| -300 | | | 300 | | | 78.4 | | | | | |
| BT50-SLM32 -105 | 3 | 32 | 105 | - | 72 | - | - | 75 | 24 | 28 | M20-P2.5 |
| -150 | | | 150 | | | | | | | | |
| -200 | | | 200 | | | | | | | | |
| -250 | | | 250 | | | | | | | | |
| -300 | | | 300 | | | | | | | | |
| BT50-SLM40 -120 | 3 | 40 | 120 | - | 90 | - | - | 85 | 30 | 32 | M20-P2.5 |
| -150 | | | 150 | | | | | | | | |
| -200 | | | 200 | | | | | | | | |
| -250 | | | 250 | | | | | | | | |
| BT50-SLM42 -120 | 3 | 42 | 120 | - | 90 | - | - | 85 | 30 | 32 | M20-P2.5 |
| -150 | | | 150 | | | | | | | | |
| -200 | | | 200 | | | | | | | | |
| -250 | | | 250 | | | | | | | | |
| BT50-SLM50 -125 | 3 | 50 | 125 | - | 100 | - | - | 95 | 30 | 35 | M24-P1.5 |

■特殊サイズも注文により製作いたします。 Special size is available upon request.



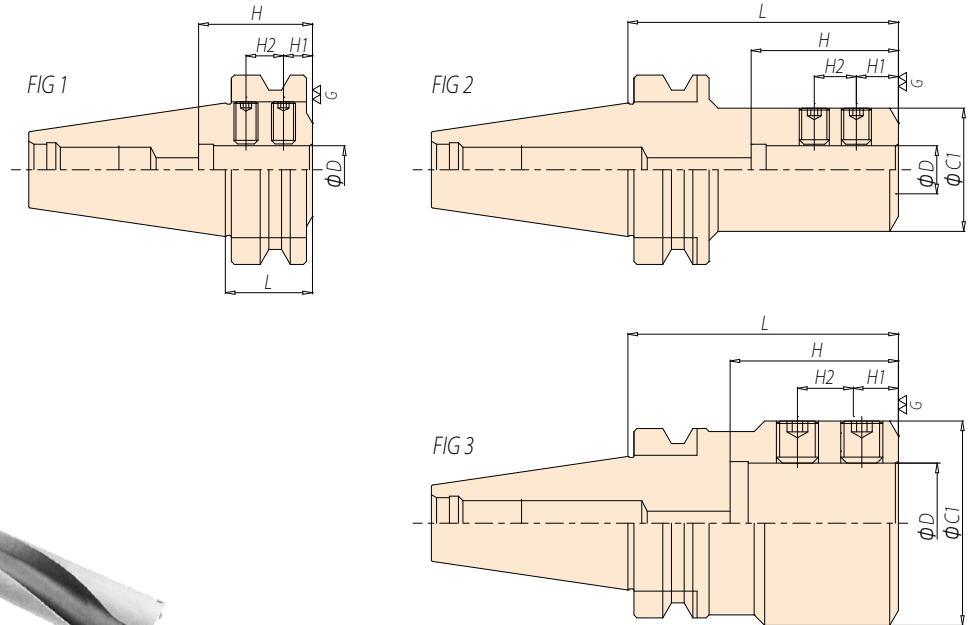
スローアウェイドリル用サイドロックホルダ

SIDE LOCK HOLDER FOR THROW-AWAY DRILL



特長 Features

- ◆ センタースルー対応。
Coolant through body.
- ◆ ホルダ端面研磨仕様。
Ground face of holder.
- ◆ 2面拘束仕様も各種ございますので、お問い合わせください。
Two face contact shank is also available.



BT30

| CODE | FIG | D | L | C1 | H | H1 | H2 | M1 |
|-----------------|-----|----|----|----|----|----|----|-----|
| BT30-SLD16 - 60 | 2 | 16 | 60 | 41 | 49 | 14 | 14 | M10 |
| -SLD20 - 60 | | 20 | | 45 | 51 | | | |
| -SLD25 - 65 | 3 | 25 | 65 | 47 | 57 | | | |

BT40

| CODE | FIG | D | L | C1 | H | H1 | H2 | M1 |
|-----------------|-----|-----|-----|----|----|----|-----|-----|
| BT40-SLD16 - 60 | 2 | 16 | 60 | 41 | 49 | 14 | 14 | M10 |
| - 90 | | | 90 | | | | | |
| -SLD20 - 60 | | 20 | 60 | 45 | 51 | | | |
| - 90 | | | 90 | | | | | |
| -SLD25 - 60 | | 25 | 60 | 48 | 57 | | | |
| - 90 | | | 90 | | | | | |
| -SLD32 - 75 | 32 | 75 | 61 | 61 | 15 | 20 | M12 | |
| -105 | | 105 | | | | | | |
| -SLD40 -105 | 3 | 40 | 105 | 68 | 71 | | 25 | M14 |

■ 特殊サイズも注文により製作いたします。 Special size is available upon request.



スローアウェイドリル用サイドロックホルダ

SIDE LOCK HOLDER FOR THROW-AWAY DRILL



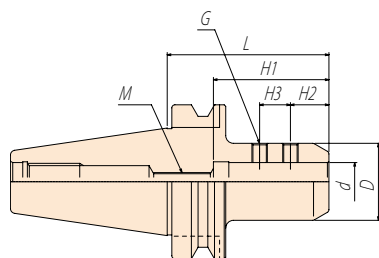
BT50

| CODE | FIG | D | L | C1 | H | H1 | H2 | M1 | | | | |
|-----------------|-----|-----|-----|----|----|----|----|-----|----|----|----|-----|
| BT50-SLD16 - 40 | 1 | 16 | 40 | - | 49 | 18 | - | M12 | | | | |
| -105 | 2 | | 105 | 41 | | 14 | 14 | M10 | | | | |
| -135 | | | 135 | | | | | | | | | |
| -165 | | | 165 | | | | | | | | | |
| -200 | | | 200 | | | | | | | | | |
| -250 | 250 | 20 | 165 | 45 | 51 | 14 | 14 | M10 | | | | |
| -SLD20 - 40 | 1 | | 40 | | | | | | - | 18 | - | M12 |
| -105 | 2 | | 105 | | | | | | 45 | 14 | 14 | M10 |
| -135 | | | 135 | | | | | | | | | |
| -165 | | | 165 | | | | | | | | | |
| -200 | | 200 | | | | | | | | | | |
| -250 | 250 | 25 | 165 | 48 | 57 | 15 | 20 | M12 | | | | |
| -SLD25 - 40 | 1 | | 40 | | | | | | - | 20 | - | M16 |
| -105 | 2 | | 105 | | | | | | 48 | 15 | 20 | M12 |
| -135 | | | 135 | | | | | | | | | |
| -165 | | | 165 | | | | | | | | | |
| -200 | | 200 | | | | | | | | | | |
| -250 | 250 | 32 | 165 | 61 | 61 | 15 | 20 | M12 | | | | |
| -SLD32 - 40 | 1 | | 40 | | | | | | - | 20 | - | M16 |
| -105 | 2 | | 105 | | | | | | 61 | 15 | 20 | M12 |
| -135 | | | 135 | | | | | | | | | |
| -165 | | | 165 | | | | | | | | | |
| -200 | | 200 | | | | | | | | | | |
| -250 | 250 | 40 | 165 | 68 | 71 | 14 | 25 | M14 | | | | |
| -SLD40 - 50 | 1 | | 50 | | | | | | - | 14 | - | M16 |
| -105 | 2 | | 105 | | | | | | 68 | 15 | 25 | M14 |
| -135 | | | 135 | | | | | | | | | |
| -165 | | | 165 | | | | | | | | | |
| -200 | | 200 | | | | | | | | | | |
| -250 | 250 | 50 | 165 | 83 | 81 | 15 | 25 | M16 | | | | |
| -SLD50 - 75 | 1 | | 75 | | | | | | - | 14 | - | M16 |
| -105 | 2 | | 105 | | | | | | 83 | 15 | 25 | M16 |

■特殊サイズも注文により製作いたします。 Special size is available upon request.

SLA サイドロックホルダ

SIDE LOCK HOLDER



BT40

| CODE | ϕd | L | D | H1 | H2 | H3 | M | G | |
|-----------------|----------|----|----|---------|---------|----|-----|-----|-----|
| BT40-SLA12 - 90 | 12 | 90 | 42 | 25 ~ 48 | 14 | 14 | M10 | M10 | |
| -SLA16 - 90 | 16 | | 48 | 30 ~ 48 | | | | | |
| -SLA20 - 90 | 20 | | 50 | 60 | 65 ~ 80 | 30 | 20 | | M12 |
| -SLA25 - 90 | 25 | | | | | | | | |
| -SLA32 - 90 | 32 | | 70 | 65 | 15 | 25 | - | | M12 |
| -SLA40 - 90 | 40 | | | | | | | | |

BT50

| CODE | ϕd | L | D | H1 | H2 | H3 | M | G | |
|-----------------|----------|-----|----|---------|---------|----|-----|-----|-----|
| BT50-SLA12 -105 | 12 | 105 | 42 | 25 ~ 48 | 14 | 14 | M10 | M10 | |
| -SLA16 -105 | 16 | | 48 | 30 ~ 48 | | | | | |
| -SLA20 -105 | 20 | | 50 | 60 | 65 ~ 80 | 30 | 20 | | M12 |
| -SLA25 -105 | 25 | | | | | | | | |
| -SLA32 -105 | 32 | | 70 | 70 ~ 85 | | | | | |
| -SLA40 -105 | 40 | | | | | | | | |
| -SLA42 -105 | 42 | | | | | | | | |

■特殊サイズも注文により製作いたします。 Special size is available upon request.

スローアウェイドリル用サイドロックホルダ SIDE LOCK HOLDER FOR THROW-AWAY DRILL